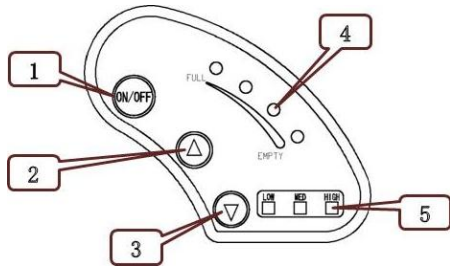


KT-LED760 Display User Manual

Dear users, please read this guide carefully before you use KT-LED760 instrument. The manual will guide you use the instrument correctly to achieve a variety of vehicle control and vehicle status display.

Functions and Display



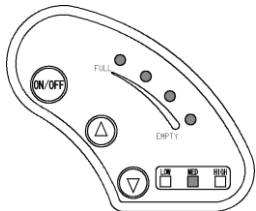
1	ON/OFF	ON/OFF Button	4	Battery capacity indicator	4 LED indicator
2	▲	UP Button	5	Power ratio gear	Gear3 LED indicator
3	▼	DOWN Button			

Operation

1. ON/OFF

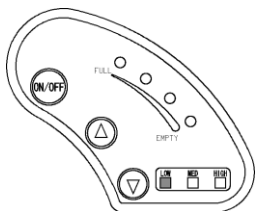
Hold **ON/OFF** button long to startup; hold **ON/OFF** button long for a second time to turn off the meter. When the motor stops driving and when the meter is not used for a consecutive 5 minutes, it will automatically shut down and turn off the motor power supply.

2. Boot display interface



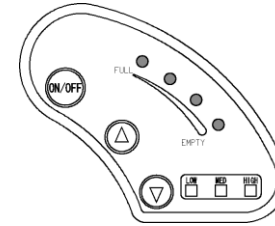
Hold **ON/OFF** button long to startup and enter boot display interface.

2.1 Assist ratio gear switch



Hold ▲ or ▼ button shortly to switch 1-3 file gear, LOW is for the minimum power gear, MED is for the middle power gear, and HIGH is for the highest power gear. Each startup will automatically restore the gear shutdown last time.

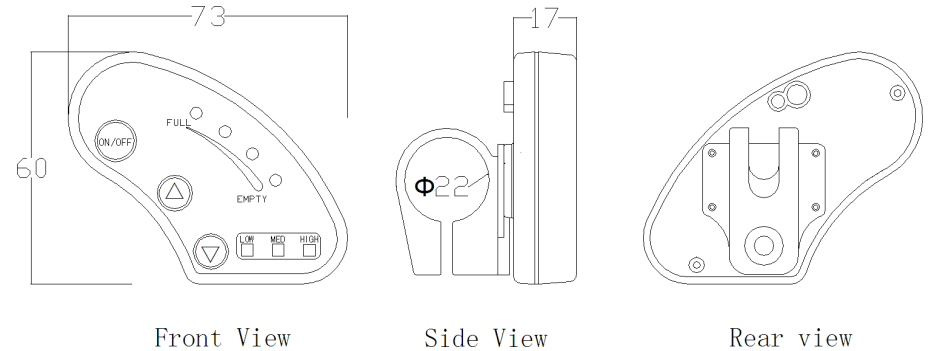
2.2 Power display



When battery power capacity is greater than 80%, all 4 LED indicator are lit. When the battery capacities drop, the indicators are off in order. When the power capacity is less than 20%, the last indicator is flashing (EMPTY side). When the controller is under-voltage protection, all 4 LED indicators are power off, which means that the vehicle is currently shutdown due to low voltage.

Outlook and Size

1. Meter dimension



2. Wiring schematic

